

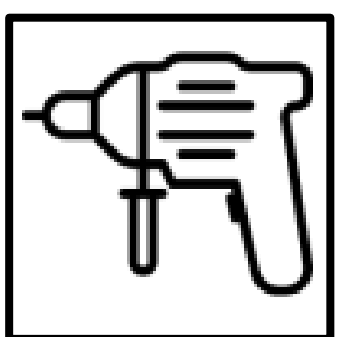
安装指导手册

单相 低压 混合逆变器 - Isuna 3000S-6000S

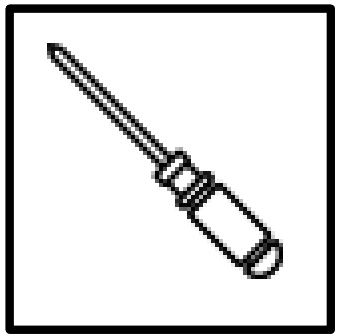


本指南仅适用于安装过程的指导说明
请在安装前详细阅读用户手册

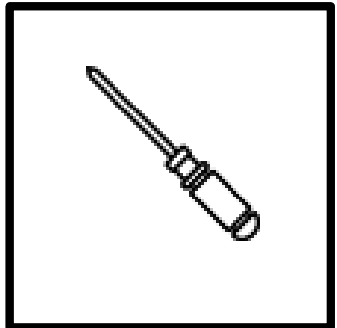
安装工具



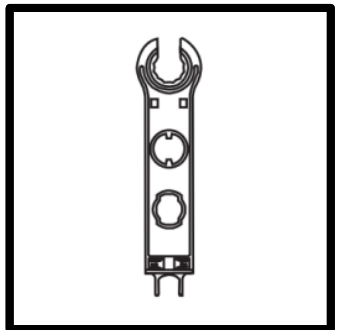
冲击钻：墙面打孔



M6十字螺丝刀：拆卸、安装螺丝和接线



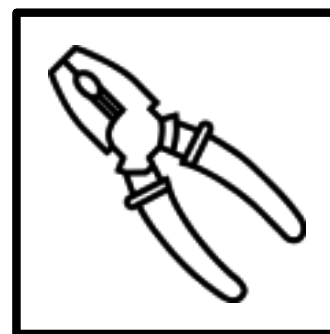
M4十字螺丝刀：拆卸、安装负载端子螺丝



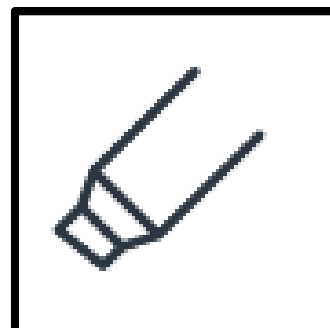
拆卸工具：拆卸PV、BAT线端端子



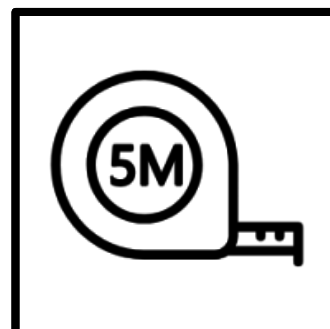
剥线钳：剥线



压线钳：压接PV、BAT电缆线

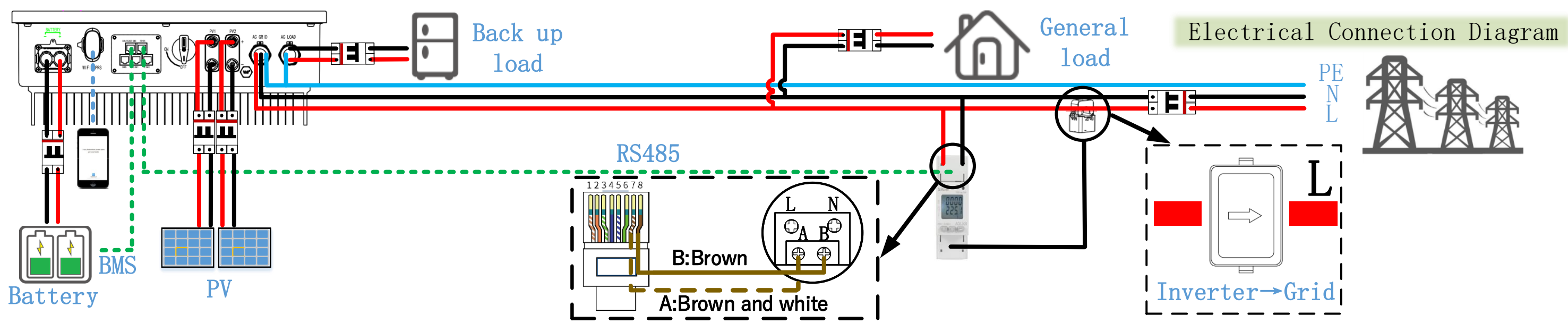
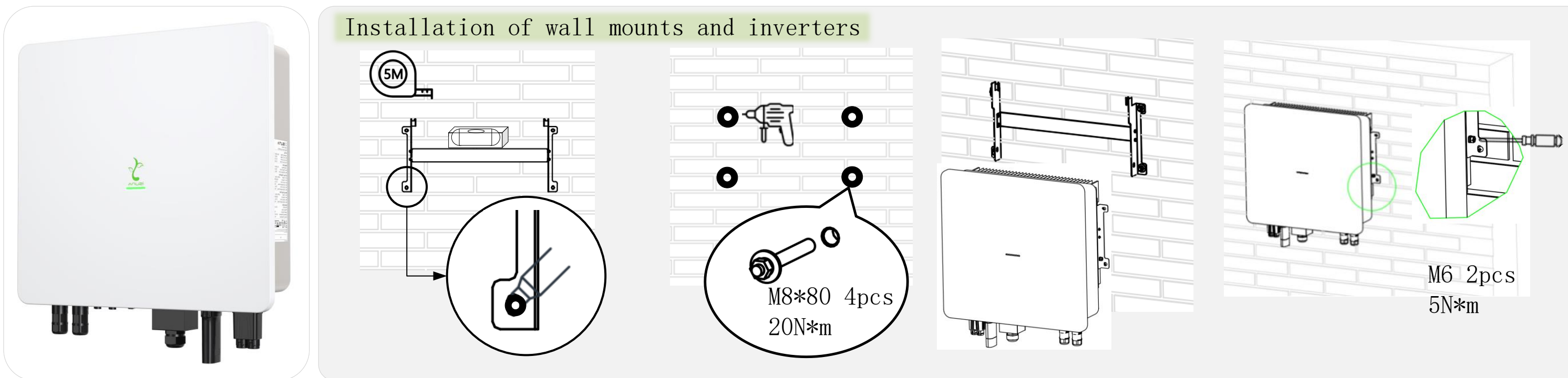


记号笔：打孔记号

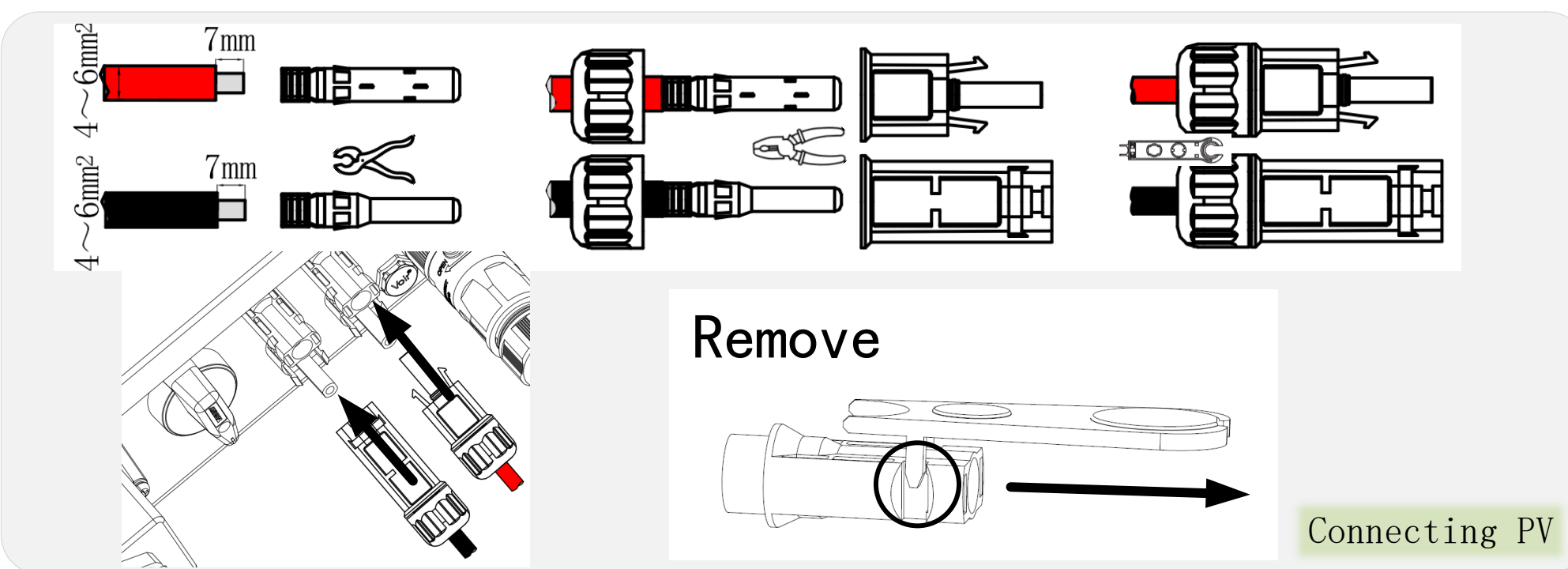
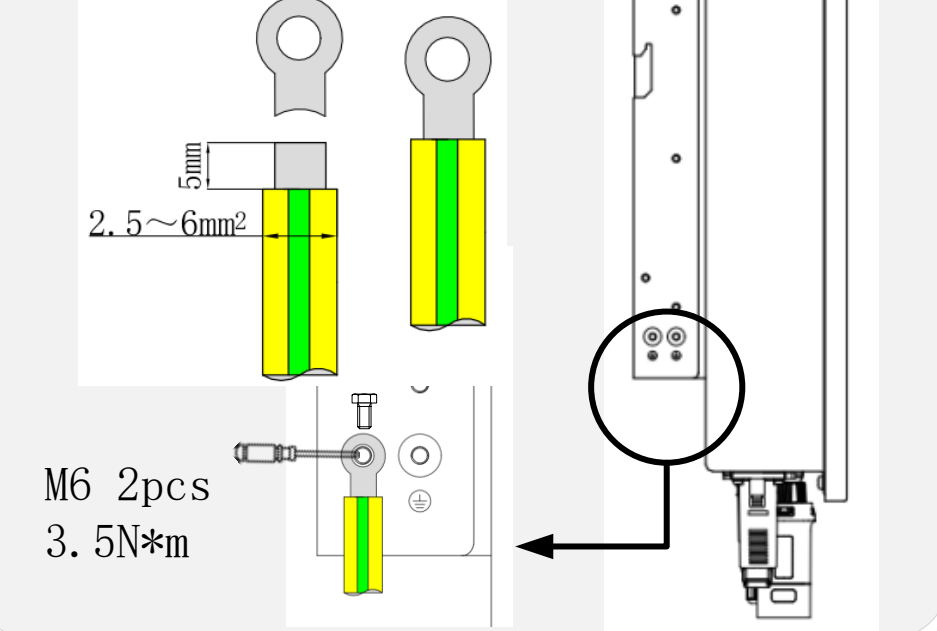


卷尺：测量距离

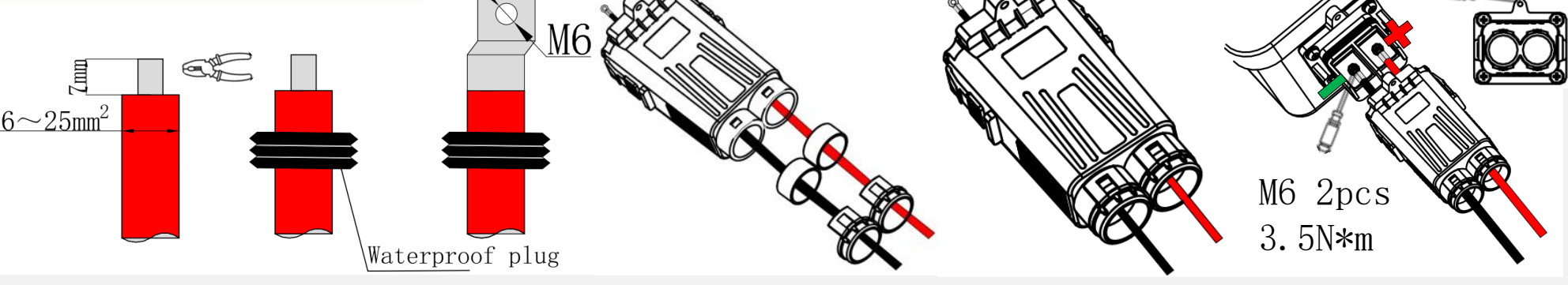
Installation of wall mounts and inverters



Inverter grounding

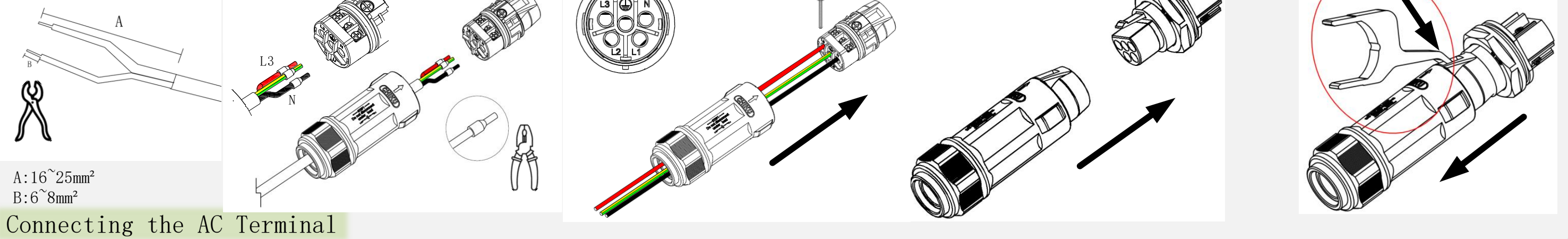


Connecting the battery

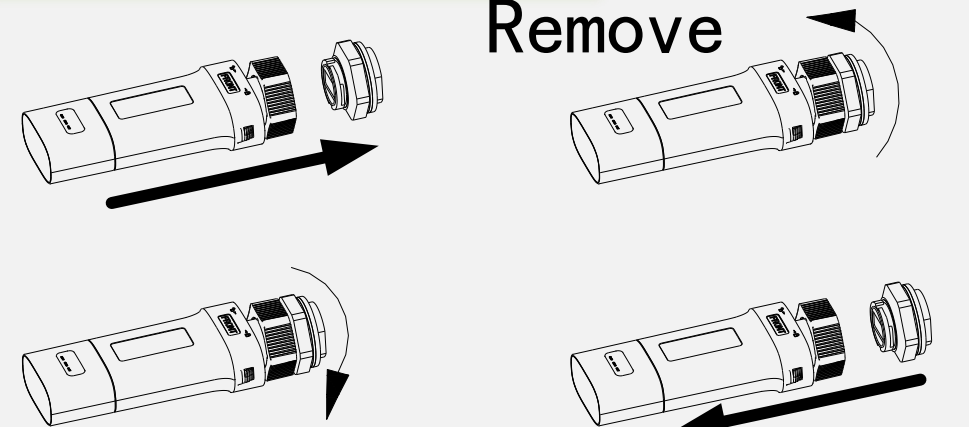


Avoid incorrect connection between positive and negative!!!

Connecting the AC Terminal



Connecting the WIFI module



Connecting the waterproof cover of communications port

PIN	Define
4	CAN_A_H
5	CAN_A_L
7	RS485_A_BMS
8	RS485_B_BMS

ESS Link Download



Download the user manual for details:
www.sinexcel-isuna.com/Download/